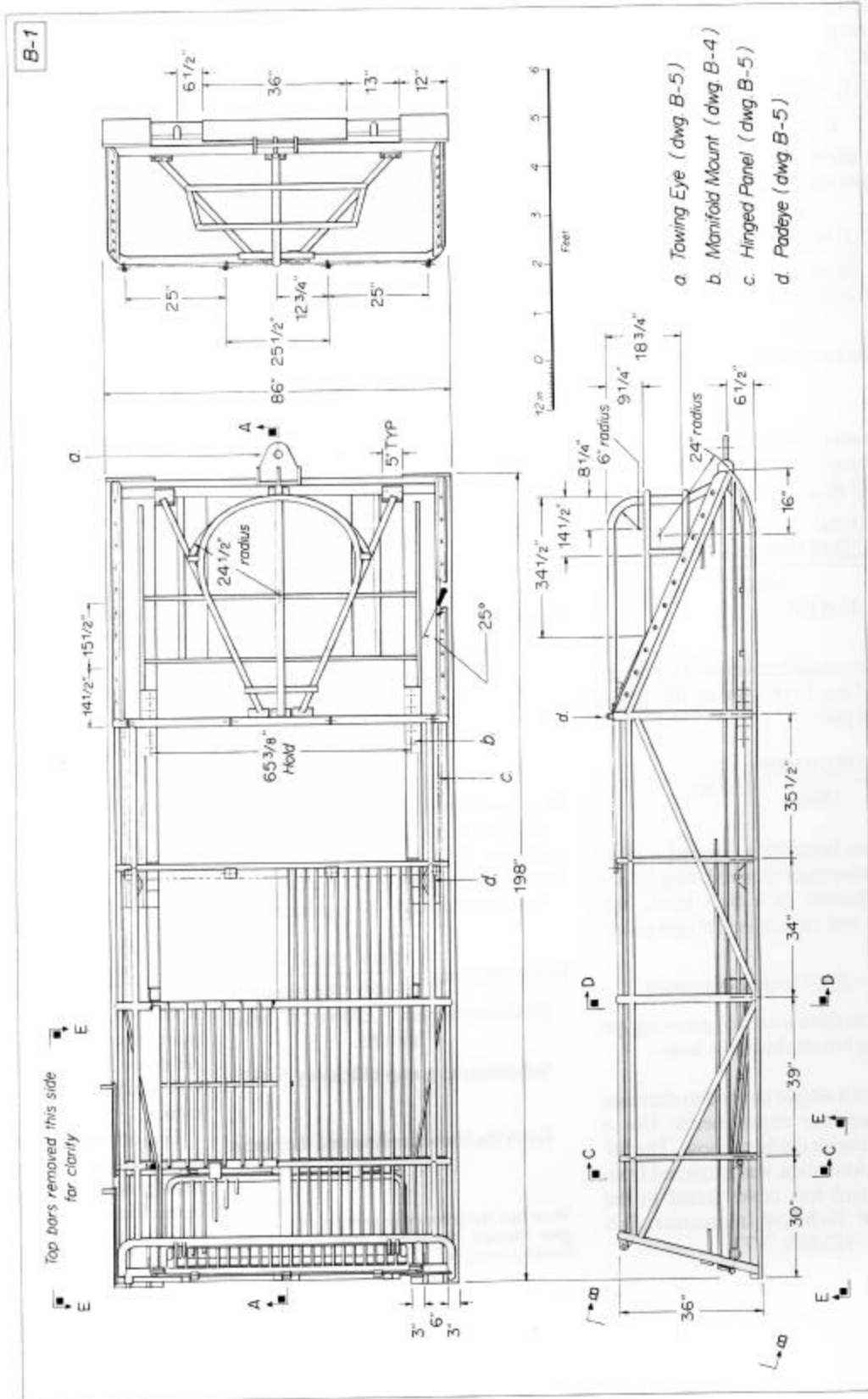
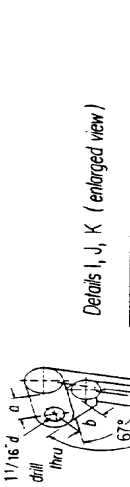
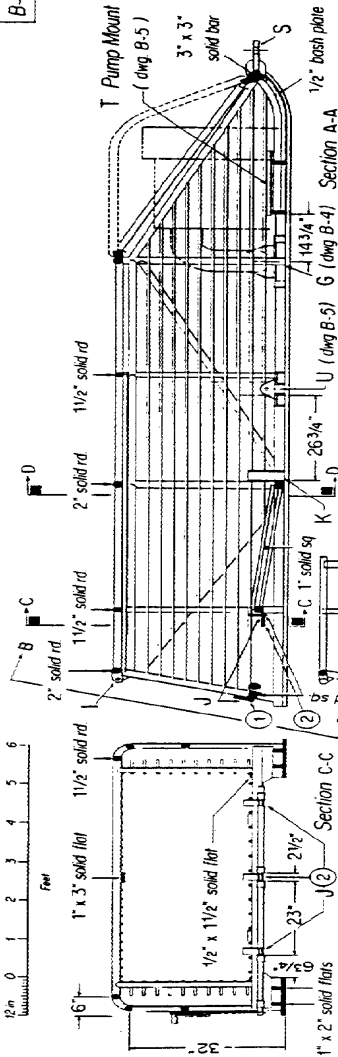


Figure 5.—The dredge is towed by the towing hawser, the hauling wire is kept slack, and the power cable has about 1,500 pounds tension.

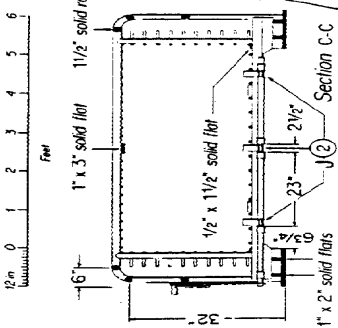
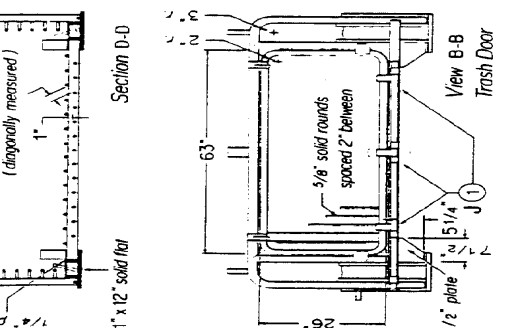
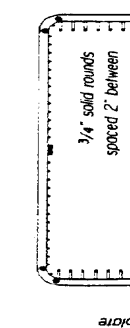
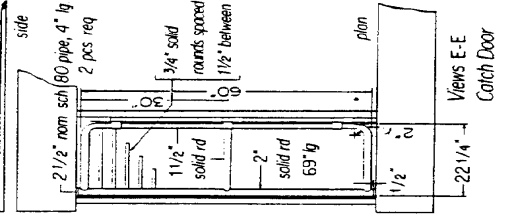
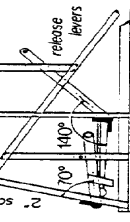
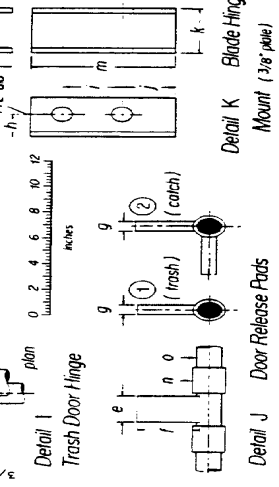
Appendix B

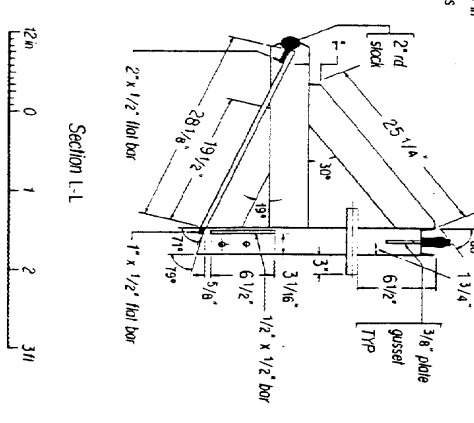
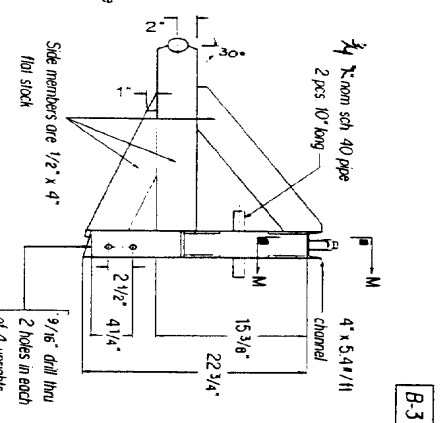
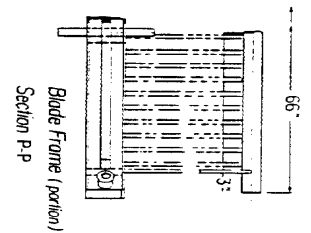
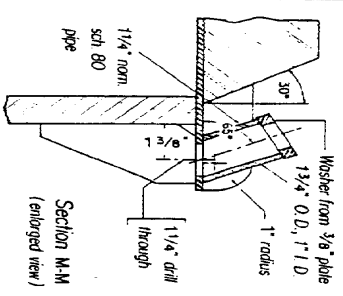
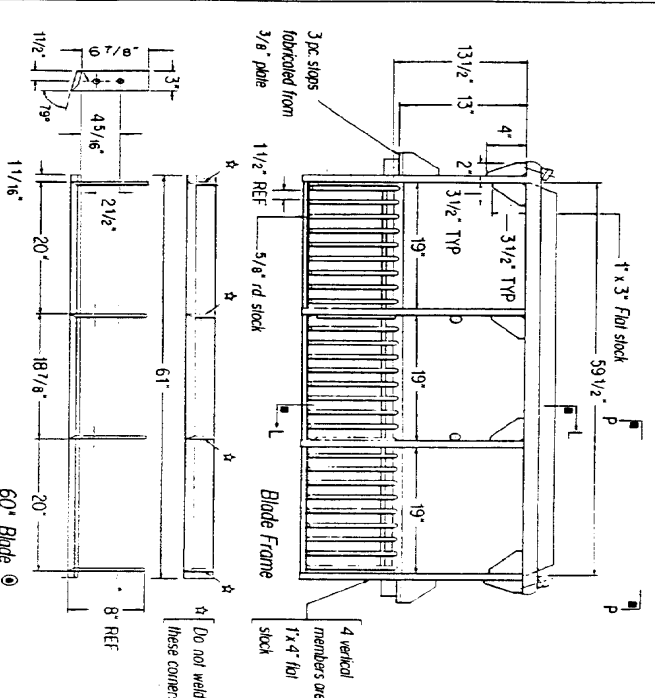


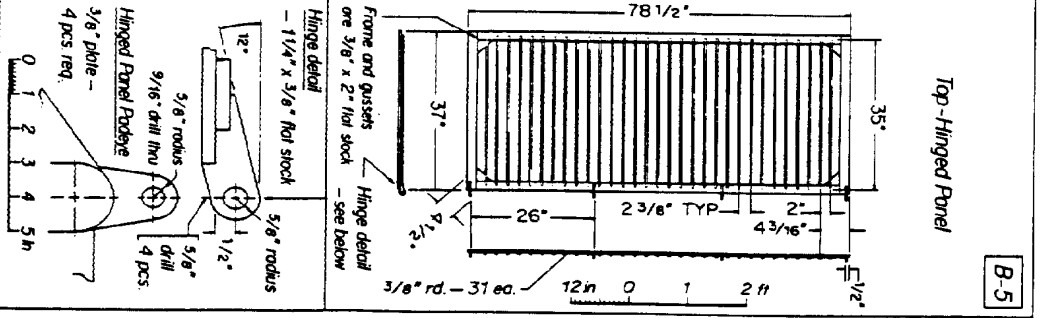
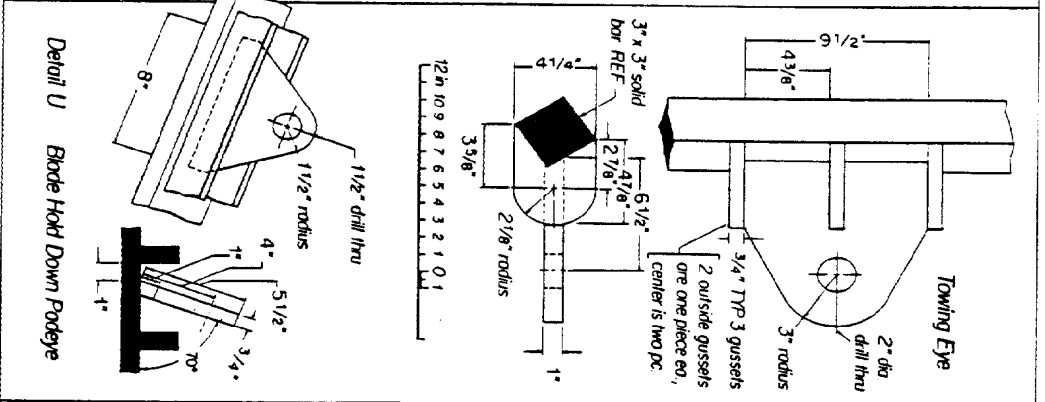
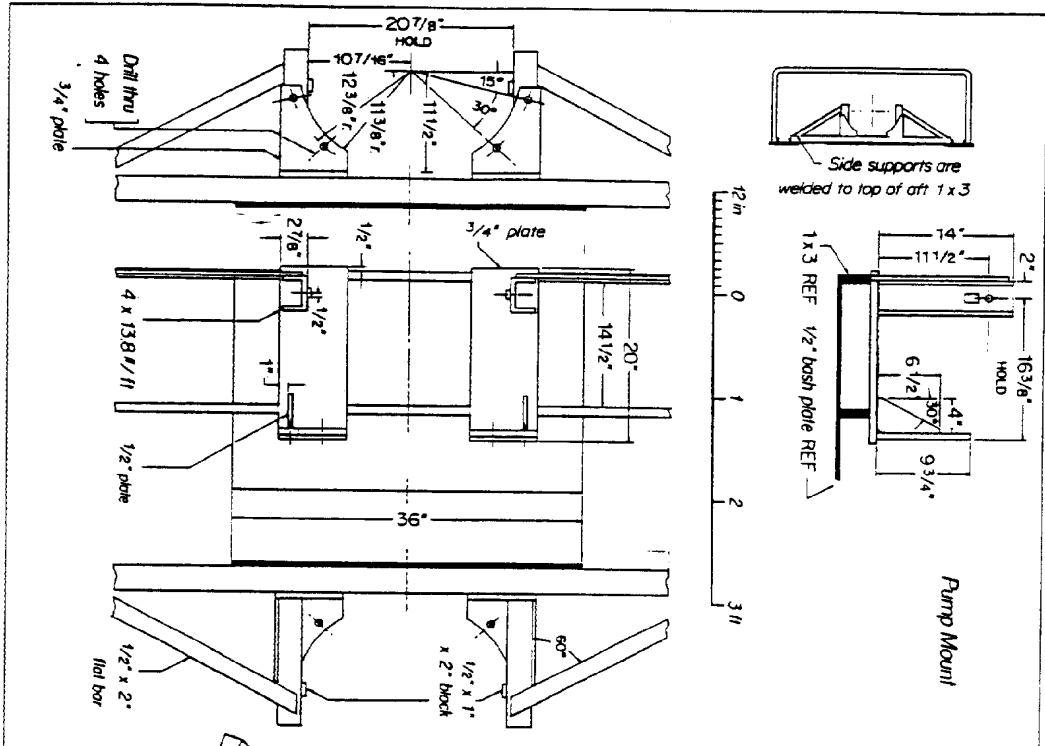


Details I, J, K (enlarged view)

a = 1 5/8"	h = 1 5/8"	1 1/4" nom sch
b = 1 3/4"	i = 3 1/8"	60 pipe, 2" lg
c = 3"	j = 2 3/4"	10 req
d = 1/4"	k = 3 1/2"	1 1/4" solid rd
e = 2"	l = 3"	72" long, 2 req
f = 3 1/4"	m = 7 1/2"	
g = 3/4"		







B-5